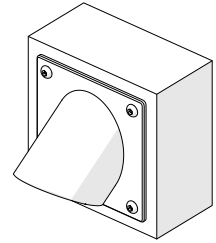


Product Installation Guidelines

Version 2.1, 11 May 2023, Page 1 of 4

**GalvinCare® CP-BS Lead Safe™ Mental Health
Anti-Ligature ShowerRose 100mm with Bolting Plate**



PRODUCT CODES:

- 121.35.64.00



SPECIFICATIONS

- The GalvinCare® Vandal Resistant Shower Rose 65 provides anti-vandalism and anti-ligature features.
- Used extensively in high risk, high security applications such as prisons, correctional facilities, and detention centres.
- Designed for maximum protection against vandalism.
- Constructed from heavy duty components and comes complete with special tamper resistant screws.
- For use with high pressure plumbing systems between 150 & 500kPa.
- Special consideration may be required when used with low water pressure systems and components.
- Chrome plate finish.
- Lead Safe™ brass construction*

IMPORTANT: All GalvinCare® Vandal Resistant Shower Roses are tested in accordance with AS/NZS 3662 and leave our premises in good working order.

*As 'lead free' is not currently defined by law in Australia and New Zealand, we have based our definition of Lead Safe™ on the requirements of s1417 of the USA's Safe Drinking Water Act (SDWA) and the relevant US standards NSF61 / NSF372. The SDWA defines 'lead free' as "not more than a weighted average of 0.25% lead when used with respect to the wetted surface of pipes, pipe fittings, plumbing fittings and fixtures".

TECHNICAL DATA

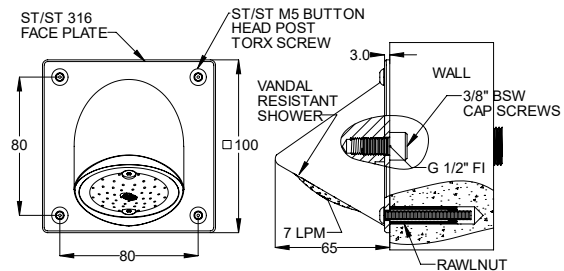
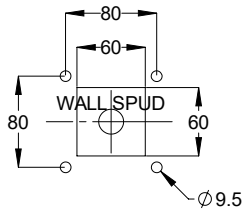
Inlet	1/2" BSP - Female	
Outlet	Shower Rose	
Headwork	N/A	
Working Pressure Range (kPa)	Min	150
	Max	500
Working Temperature Range (°C)	Min	5
	Max	65
Nominal Flow Rate (LPM)	6.6	
Finish	Chrome	

NOTE: Galvin Engineering continually strive to improve their products. Specifications may change without notice.

PRE-INSTALLATION

MOUNTING DETAILS – HOLE CENTRES

- The rough in details show correct fitment of the Vandal Resistant Shower unit.
- A 60mm X 60mm wall cutout with a depth of a least 12mm is recommend to clear the 3/8" BSW cap screws.
- Recommended installation height above floor level is 2 metres (6'6").

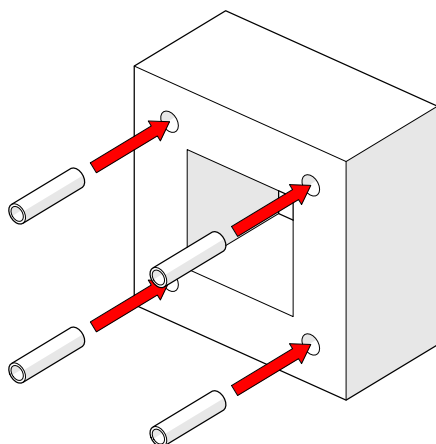


INSTALLATION

INSTALLATION COMPLIANCE: Galvin Engineering products must be installed in accordance with these installation instructions and in accordance with AS/NZS 3500, the PCA and your local regulatory requirements. Water and/or electrical supply conditions must also comply to the applicable national and/or state standards. Failing to comply with these provisions shall void the product warranty and may affect the performance of the product.

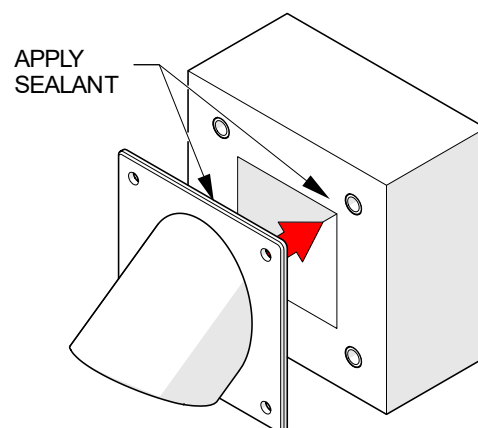
IMPORTANT: Whilst our product designs take into account a broad range of installation types and surfaces, it is important that surfaces which fixtures are mounted to are flat and free from defect. Additionally, ensure any protruding connecting thread is square to the wall so that the outlet sits flat against the wall when installed, ensuring that there are no gaps between the wall and outlet. This is especially important when installing product ranges that have been designed for correctional and health facilities, where special attention is required to minimise ligature points and areas for concealment of contraband. In addition to ensuring the products are fitted securely and in accordance with the following instructions, consideration shall be given to the use of non-pick mastics such as BASF Sonolastic "Ultra" to ensure a high quality and safe installation.

IMPORTANT: Extra care must be given during installation to ensure no damage is done on Flow Regulator / Restrictor when fitting male connecting thread to the inlet.



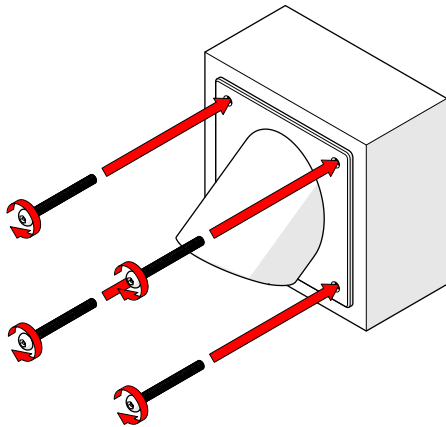
1. Fit rawlnuts

- Drill holes as detailed in the mounting details.
- Push the four supplied rawlnuts into the drilled holes in the wall.

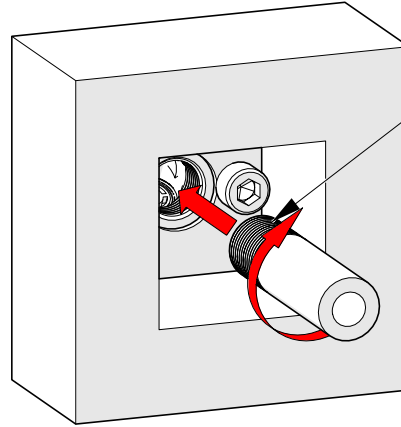


2. Align shower body and plate

- Align the shower body and plate onto the holes. Ensuring to apply sealant to create a water tight seal between plate and wall.



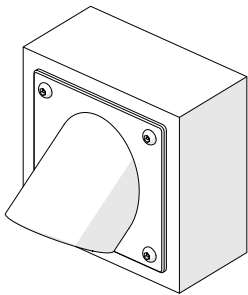
- 3. Secure the faceplate**
- Secure the face plate with the provided M6 Button Head Post Torx Screw.



APPLY
THREAD TAPE
OR SEALANT

- 4. Connect Water supply from the back**
- From the back of the wall connect the water supply. Ensuring to apply thread tape or sealant to create a water tight seal.

TESTING



- Turn on water supply, inspect the tap and check for any leaks.

TROUBLESHOOTING

PROBLEM	CAUSE	RECTIFICATION
Shower is dripping water	Head-works are worn or damaged	Remove and inspect the head-works, remove debris and/or replace head parts if damaged
Inconsistent flow	Blocked flow restrictor	Remove flow regulator from body and remove debris. Install an inline strainer to stop further blockages.
Leak from behind body	Insufficient sealant	Apply more sealant
Water is not flowing from tap	Water is turned off	Turn on water
Rate of flow inadequate	The flow restrictor may not be satisfactory due to inadequate supply pressure	Remove flow restrictor and replace with a flow restrictor of different capacity to suit (available from Galvin Engineering)

WARRANTY

The warranty set forth herein is given expressly and is the only warranty given by the Galvin Engineering Pty Ltd. With respect to the product, Galvin Engineering Pty Ltd makes no other warranties, express or implied. Galvin Engineering Pty. Ltd. hereby specifically disclaims all other warranties, express or implied, including but not limited to the implied warranties of merchantability and fitness for a particular purpose.

Galvin Engineering Pty Ltd products are covered under our manufacturer's warranty available for download from www.galvinengineering.com.au Galvin Engineering Pty Ltd expressly warrants that the product is free from operational defects in workmanship and materials for the warranty period as shown on the schedule in the manufacturer's warranty. During the warranty period, Galvin Engineering will replace or repair any defective products manufactured by Galvin Engineering without charge, so long as the terms of the Manufacturer's warranty are complied with.

The remedy described in the first paragraph of this warranty shall constitute the sole and exclusive remedy for breach of warranty, and Galvin Engineering Pty Ltd shall not be responsible for any incidental, special or consequential damages, including without limitation, lost profits or the cost of repairing or replacing other property which is damaged if this product does not work properly, other costs resulting from labour charges, delays, vandalism, negligence, fouling caused by foreign material, damage from adverse water conditions, chemical, electrical or any other circumstances over which Galvin Engineering has no control. This warranty shall be invalidated by any abuse, misuse, misapplication, improper installation or improper maintenance or alteration of the product.

In the absence of a legal or industry definition of anti-ligature or ligature resistant products, when we use these terms, we are referring to products that are designed and manufactured with the intention of reducing the risk of ligature attachment to the product(s).

Galvin Engineering Pty Ltd will always endeavour to design and test our anti-ligature product(s) to reduce the risk of product ligature attachment that may result in serious injury or death.

Whilst all reasonable measures are taken at the time of design, the anti-ligature design of the products are not intended to and will not:

- a. Replace protective measures that need to be taken in the specific circumstances of usage;*
- b. Substitute the need for supervision of those who may be at risk;*
- c. Protect and or prevent those at risk against any self-harm instances that may occur when installed; and*
- d. Protect and or prevent injury when the risks were unknown to us at the time of the design of the product(s).*

Galvin Engineering Pty Ltd does not offer and does not represent or warrant that any product(s) for sale that are ligature-free.

Therefore, Galvin Engineering will not be liable for any claims, loss, or damages arising from ligature attachment on our products. It is the purchaser's responsibility to ensure that products purchased and installed are suitable for the environments in which they are installed, and suitable supervision and protective measures are in place to protect those at risk.

Within Australia: 1300 514 074 Outside Australia: P: +61 (0)8 9338 2344

F: +61 (0)8 9338 2340

sales@galvinengineering.com.au

www.galvinengineering.com.au

ABN: 78 008 719 382

PERTH | SYDNEY | MELBOURNE | BRISBANE | ADELAIDE

